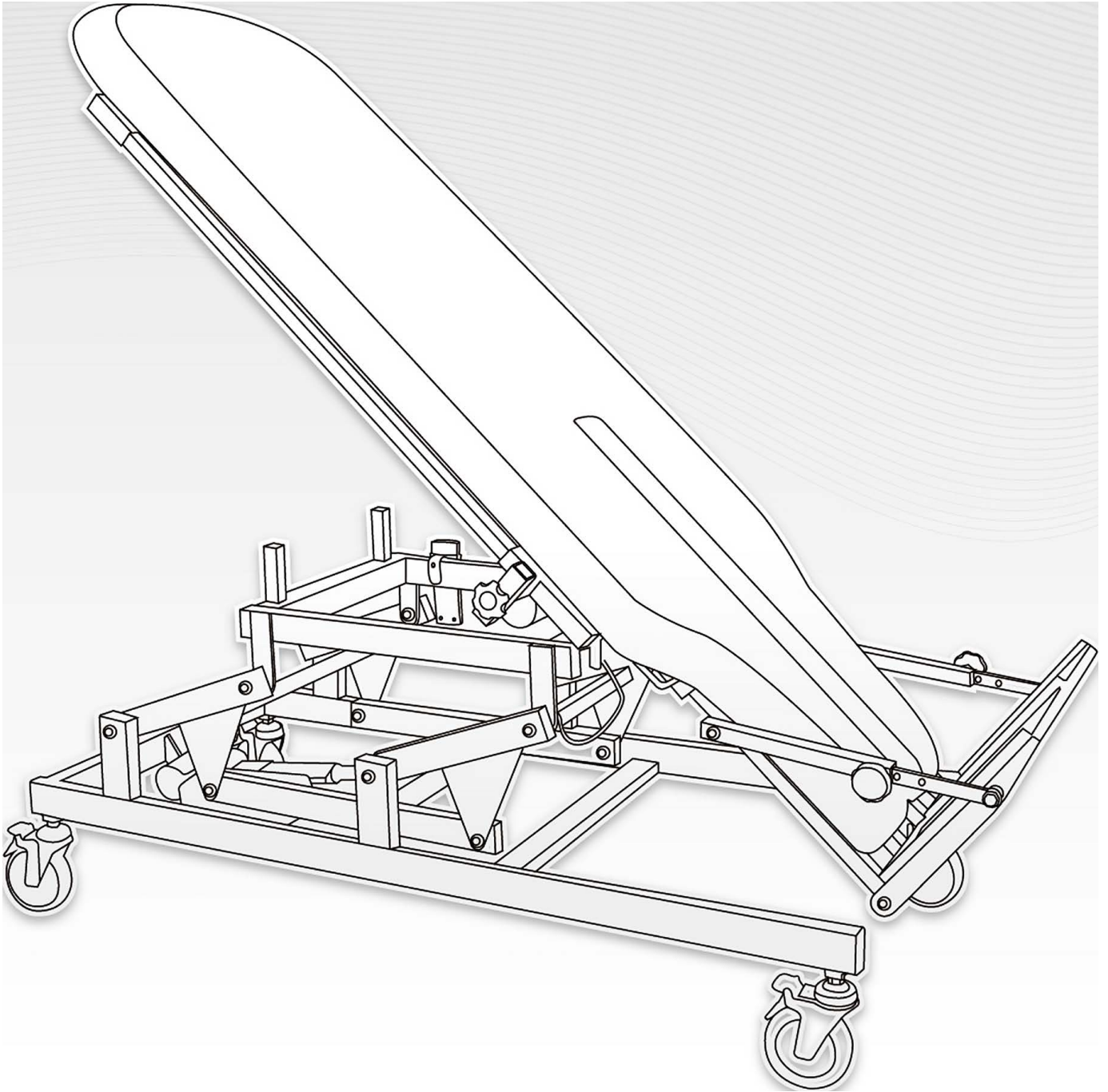


BAL3050

TUSCAN Tilt Table (Electric)



Contents

Warnings / Cautions / Labelling & Graphical Symbols	01
Graphical Symbols / Safety Instructions	02
Before Use	03
1. Motorized Action / 2. Moving & Leveling	04
3. Basic Operation- Tilt Mechanism & Elevation	05
4. Manual-Release Operation in an Emergency / 5. Dual Foot Switch	07
6. Adjusting the Working Table	08
7. Fixing Chest Strap (1pc), Thigh Straps (2pcs) & Calf Straps (2pcs)	09
8. Technical Specifications	10
Environmental Conditions / Cleaning Instructions / Maintenance & Scheduled Servicing / MAINTENANCE	11
Trouble Shooting / Regulation Compliance	12
I. Manufacturer's Warranty	13
II. Limitation of Liabilities and Disclaimer of Warranties	13
SERVICE MANUAL	14



Warnings

- Please make certain that Electric Couches / Tables are not used in the presence of flammable gases such as anaesthetic agent.
- Do not sit on the edge of Head or Foot Section of a couch or table as possible damages to the (1) Gas Struts and/or (2) Gas Strut Handle Bar may occur. Standard Load of a couch or table is rated at which the loading weight is distributed evenly across the working surface but not on a specific area or side of table top.
- It is hazardous to exceed the rated maximum load of a couch or table.
- The operation Electric couch or table requires the Power Cord securely plugged-in to the wall utility power. When the Power Cord is unplugged, it does not operate unless the couch or table is equipped with a backup battery.
- Use only the original accessories that is manufactured by Stonehaven Medical, Inc. for a table or couch.
- Children MUST be refrained from using any tables or couches by means of operating a hand or foot control nor Elevating Bars.



Please be aware of any circumstances which could result in failure or possible damage of the equipment in use.



Cautions

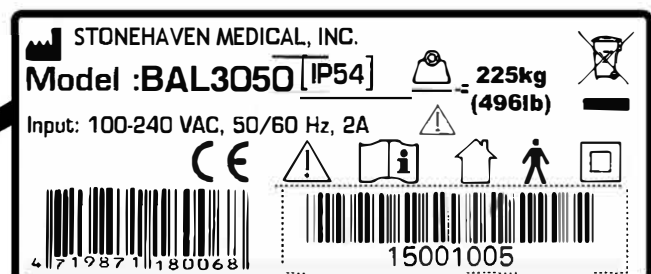
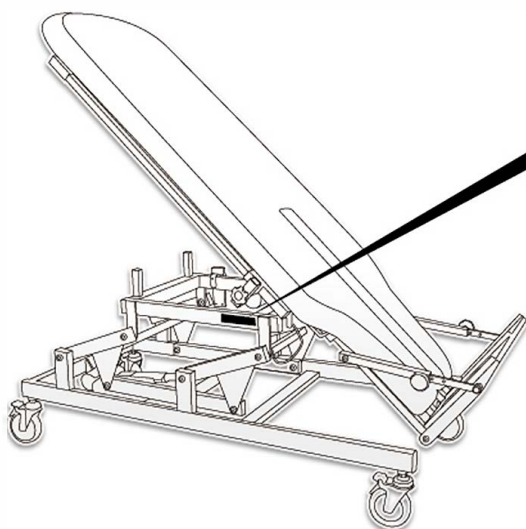
- Before allowing a patient to lay on the couch or table, please ensure that the Leveling Foot at each corner is **LEVELED & RESTING** on the floor securely after the castors are retracted. If not, please adjust the leveling foot accordingly to stabilize the table.
- Check any trapped power cords or cables underneath the couch or table while moving the table.
- Keep any persons' limbs away from all moving parts of a couch or table especially when the table is being moved from one place to another.
- When applying electrotherapy to a patient, please keep his or her body away from any contacts with metal parts of the couch or table.
- Please familiarize yourself with the operation of all various controls of actuator and gas struts to avoid inadvertent actuation of table sections.

Labelling & Graphical Symbols

You can locate three identification labels on the table.

- 1) First One - Safety Label (CE Label) appears at the upper frame. This is where you can locate the Manufacturer / Serial Number / Model Number / Input Voltage / Max. Operational Load

An Example Safety Label (CE Label) is shown below:




2) *Second One - Control Box Label appears on the Control Box. You can locate the control box at the bottom frame just beneath the head section. On this label, you can locate the Manufacturer of this Control Box / Model Number / Serial Number / Input Voltage / Output Voltage / Duty Cycle / Part Number / Spec code / Caution Marking / Country of Origin.*

TzMOTION Control Box











Model No : TC1-S3NB-2 IP54
 Input : 100-240VAC, 50/60Hz, 2000mA
 Output : 32V ---, 80VA
 Duty cycle : max.10%, 2 min. ON/18 min. OFF

CERTIFIED TO AAMI /CSA/IEC/EN STD
 AAMI ES 60601-1, CSA-C22.2 NO.60601-1,
 IEC 60601-1, EN 60601-1

MADE IN CHINA

Part No. TC1-2188-001
 Spec. code. TC1-4A22-A220-60
 Serial No.  201409263456

Graphical Symbols

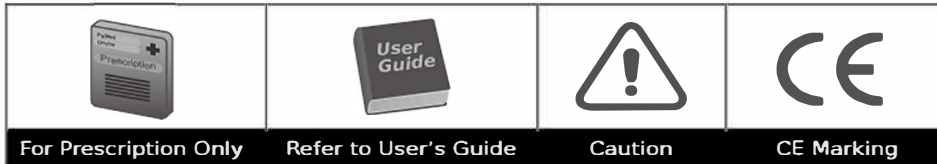
-  Safety Logo of the Certified Bodies (TUV SUD)
- IP54 Degree of protection provided by enclosures (IP Code)
-  Refer to Instruction Manual (Booklet)
-  Caution: Read Instruction, Warnings & Cautions
-  For Indoor-Use Only
-  CE Marking for Table that complies with CE MDD
-  WEEE Symbol: This symbol reflects the European Union Directive on Waste Electrical and Electronic Equipment (WEEE). Under such Directive, this WEEE symbol requires you as end-user to dispose of any WEEE separately by bringing it to your nearest collection facility.
-  Safety Logo of the Certified Bodies (ETL)
-  Consult Operation Instructions
-  Degree of Electrical Protection Type B
-  Safe Working Load Symbol

Safety Instructions

- 1 Prior starting to use the table, it is important that you read and understand this manual.
- 2 You may also consult this manual whenever you're in doubt about using the table.
- 3 This devise **MUST BE USED** under the supervision of a licensed practitioner.
- 4 Use only the original accessories that is manufactured by Stonehaven Medical, Inc. for the table.
- 5 **DO NOT USE** the table in "Wet Rooms" - Hydrotherapy Rooms.
- 6 Keep the table away from direct heat and/or fire.

Congratulations on the purchase of Stonehaven Medical Tables. Please refer to the instructions provided herein for the full operation and installation (if required) of Stonehaven Tables.

Please read the instructions thoroughly in this user's manual before use. One or some of the following symbols may be used in this user's manual:



Additional Info:

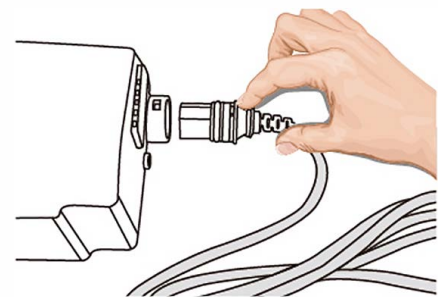
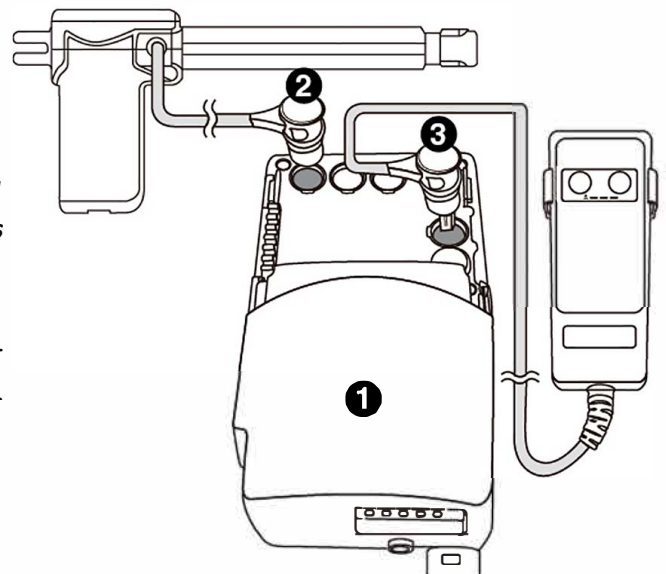
This device may be subject to regulation by the U.S. Food and Drug Administration and state and local regulatory agencies. A prescription may be required for the purchase and use of this item.

Before Use

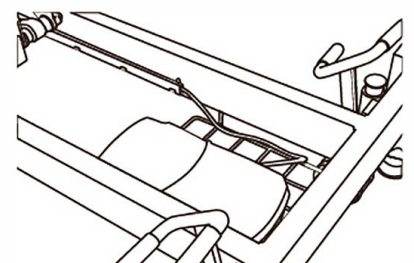
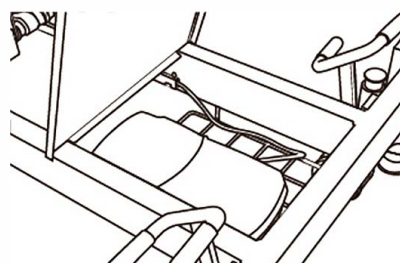
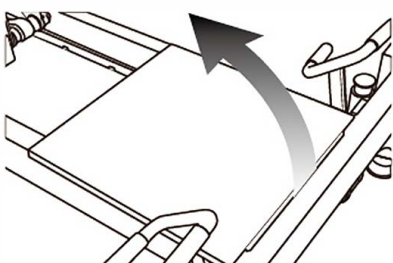
All Stonehaven Medical, Inc. manufactured tables are fully functional straight out of the shipping cartons. The following installation instructions are provided for cleaning or replacement purposes.

- ❶ Control Box
- ❷ Actuator Plug
- ❸ Controller Plug

- Open the controller's socket cover by inserting a flat-headed screw driver to the left-hand side of the cover (this disengages the "childproof" latch) then slide the cover to reveal the socket holes.
- Locate the controller plug socket at the right-bottom corner of the socket panel. (that is the 2nd socket from the bottom.)
- Plug-in the controller's plug into the above mentioned socket
- Your table may be equipped with a Hand Control, Foot Control or Up/Down Bar for controlling Hi/Lo or the movement of a section or multiple sections of the table top(s), there should be only one plug for controller (If you found more than one plug connected to multiple controllers, you will need to connect all of the to an Expansion HUB of (a) 1-to-2 (b) 1-to-3 or (c) 1-to-4
- Plug-in the Power Cable connector to the control box module



- All tables are equipped with a controller module placement tray at the bottom of table frame
- You may lay the controller module flat on the meshed tray and cover it up with the provided metal cover.



1. Motorized Action - Hi / Lo (Up or Down)

Depending on your order requirement, your **BAL3050 Tuscan Tilt Table** may be equipped with a Foot or Hand Control. Before your table is able to be operated and driven by the motorized actuator, the power plug **MUST** first be plugged into the wall power.

NOTE: Please note that BA3050 CANNOT be equipped or installed with Elevating Bars. Only Hand or Foot Control can be used on BAL3050

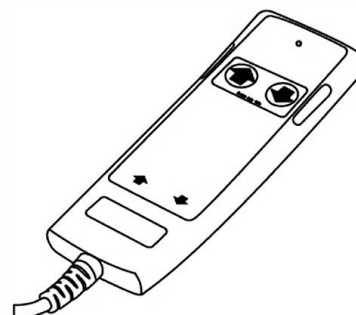
Foot Control

- To LIFT UP the table top, Step Down the LEFT SWITCH (UP)
- To DROP DOWN the table top, Step Down the RIGHT SWITCH



Hand Control

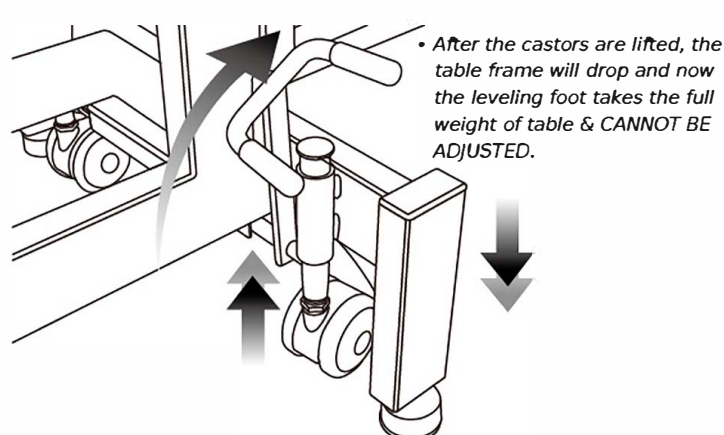
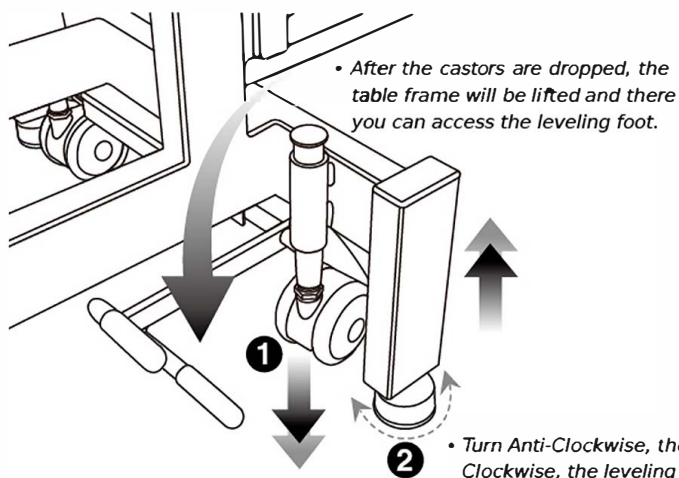
- To LIFT UP the table top, Press Down the LEFT SWITCH (UP)
- To DROP DOWN the table top, Press Down the RIGHT SWITCH



2. Moving & Leveling

Your **BAL3050 Tuscan Tilt Table** is equipped with Castors. When both ends (Front & Rear) castors are dropped down, the table can be moved around to your desired spot for short or long-term placement.

- To drop down the castors on all 4 corners, STEP DOWN the Castor Activation Levers at the front and rear bottom ends of the table.
- Make sure that the Leveling Foot (Round) is screwed all the way up to make clearance for the castors to move properly.
- Once a desired placement of table is found in a room, you may lift up the castors by means of hooking up the castor activation lever with your foot.
- The table has to be LEVELED or STABLIZED once it is in position. You may level the table by adjusting the Round Leveling Foot underneath each leg.
- Turning Anti-Clockwise MOVES the Leveling Foot UP
- Turning Clockwise MOVES the Leveling Foot Down



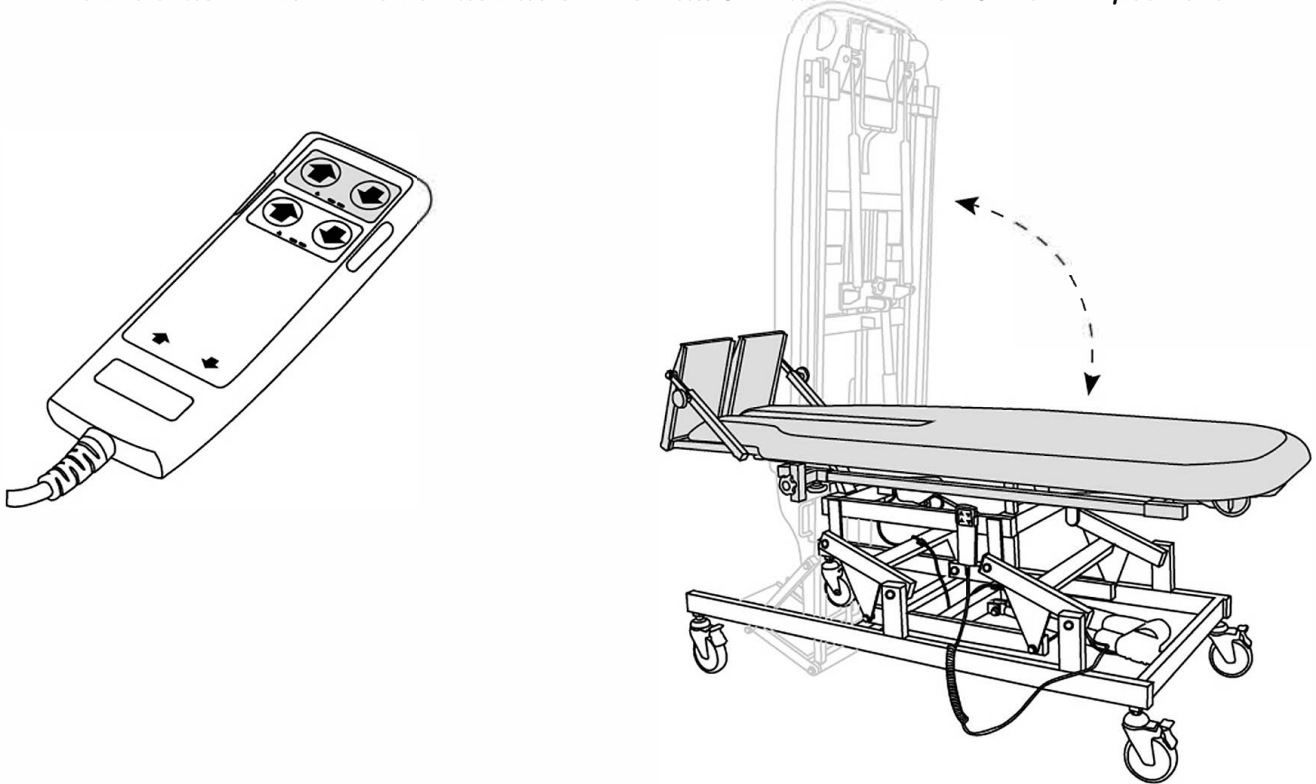
3. Basic Operation- Tilt Mechanism & Elevation

- The BAL 3050 (1 Section) Tuscan Tilt Table is equipped with 2 Motors one for TILTING and one for ELEVATION (Hi / Lo). Therefore there are 2 sets of UP/DOWN Buttons on the Hand Control and if you have ordered one with Foot Control, there will be 2 x Individual Foot Control Modules mounted on a single metal plate in series.

- Hand Control (TH4-01 or TH4-11)

- A) 1st set of the 2 * BUTTONS at the TOP of your HAND CONTROL PANEL

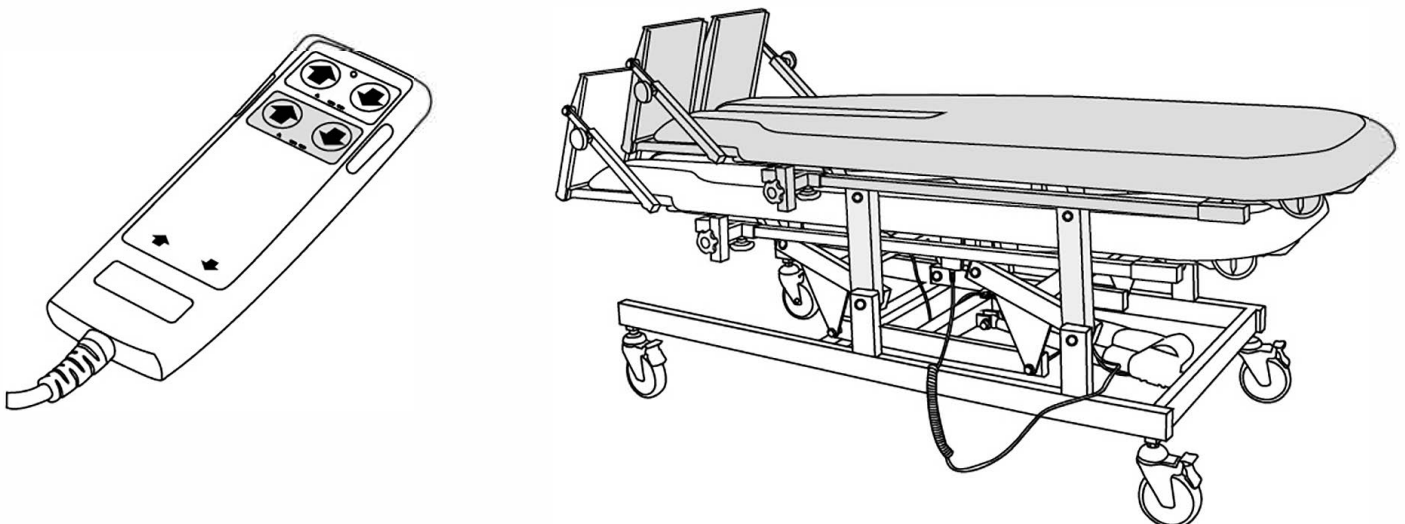
- Controls the TILTING action of the whole table from 0° at horizontal to 90° vertical positions



- Hand Control - Bottom Buttons (Up/Down)

- B) 2nd set of 2 * BUTTONS at the BOTTOM of your HAND CONTROL PANEL

- Controls the ELEVATION (UP/DOWN)

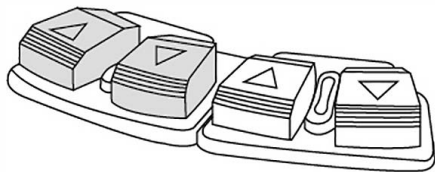


• Foot Control [TF2-09 + TF2-10]

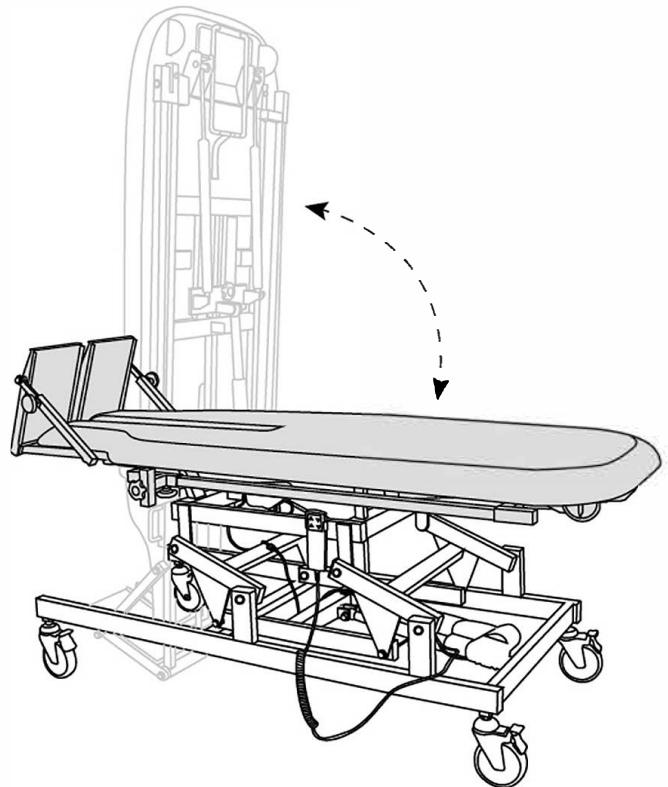
The are 2 sets of Foot Controls which are mounted on a single metal mount and there are 2 Foot Switches per 1 Foot Control. The first set of foot switches is at the LEFT-SIDE, and the second set is at the RIGHT-SIDE.

A) LEFT-SIDE: the 1st set of SWITCHES of the FOOT CONTROL PANEL

- Controls the TILTING ACTION of the whole table (0° ~ 90°)

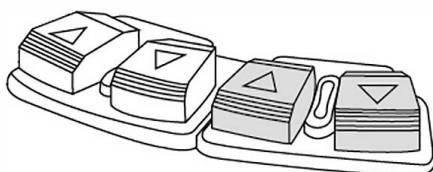


LEFT FOOT CONTROL: TF2-07 - TILTING ACTION
(Label Underneath)

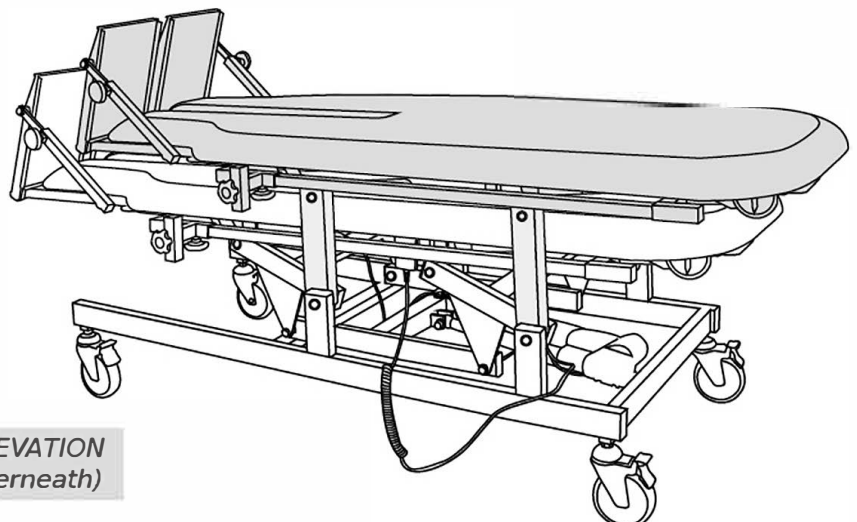


B) RIGHT-SIDE: the 2nd set of SWITCHES of the FOOT CONTROL PANEL:

- Controls the ELEVATION (UP/DOWN) of the table - Raise Up or Lower Down



RIGHT FOOT CONTROL: TF2-08 - ELEVATION
(Label Underneath)

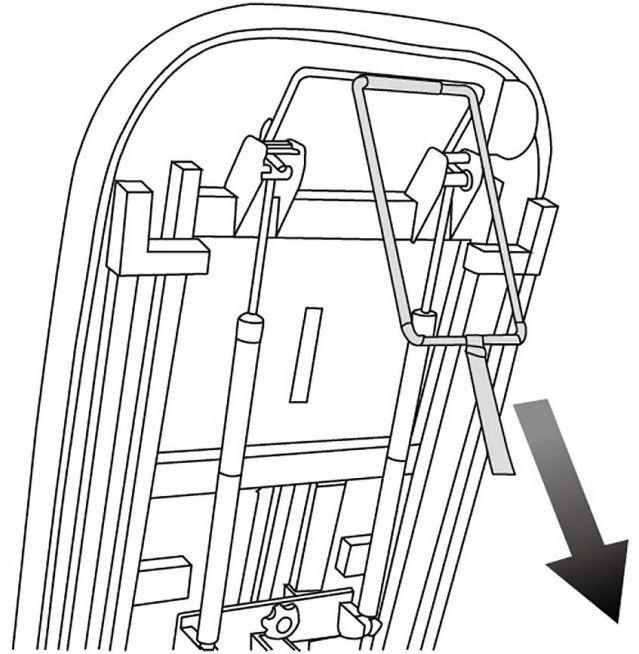


4. Manual-Release Operation in an Emergency – Disengagement of Actuator for Engage of Manual Operation (90° to 0°)

For absolute SAFETY REQUIREMENT, the BAL3050 is equipped with a “1-PULL EMERGENCY HANDLE” at the back of table (as shown in the picture).

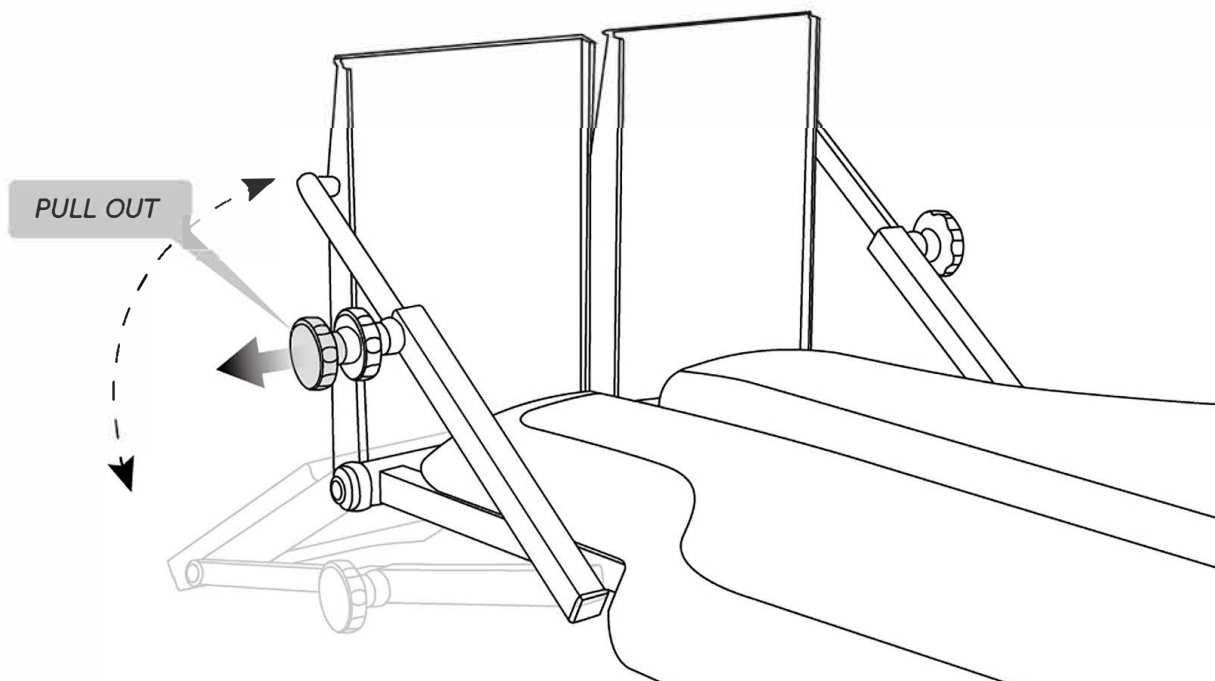
• INSTRUCTIONS:

In any given case of loss of utility power or in an emergency situation where UTILITY POWER is NOT available, the emergency handle can be pulled down to allow the TILT MECHANISM to be operated MANUALLY in order to move the table top from the VERTICAL to HORIZONTAL position and to allow the patient to be unstrapped and lifted off the table.



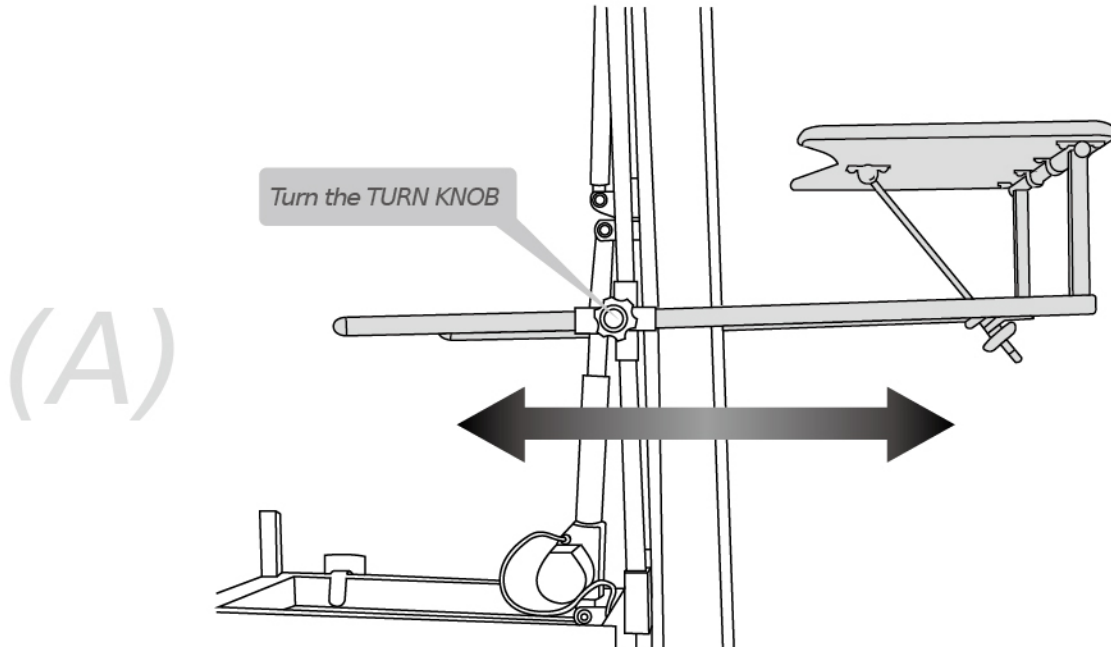
5. Dual Foot Paddle

To adjust the foot paddle, simply PULL OUT the KNOB PIN and move the foot paddle to your desired angle. Both foot paddle can be adjusted individually and this permits different angles at either foot paddle.

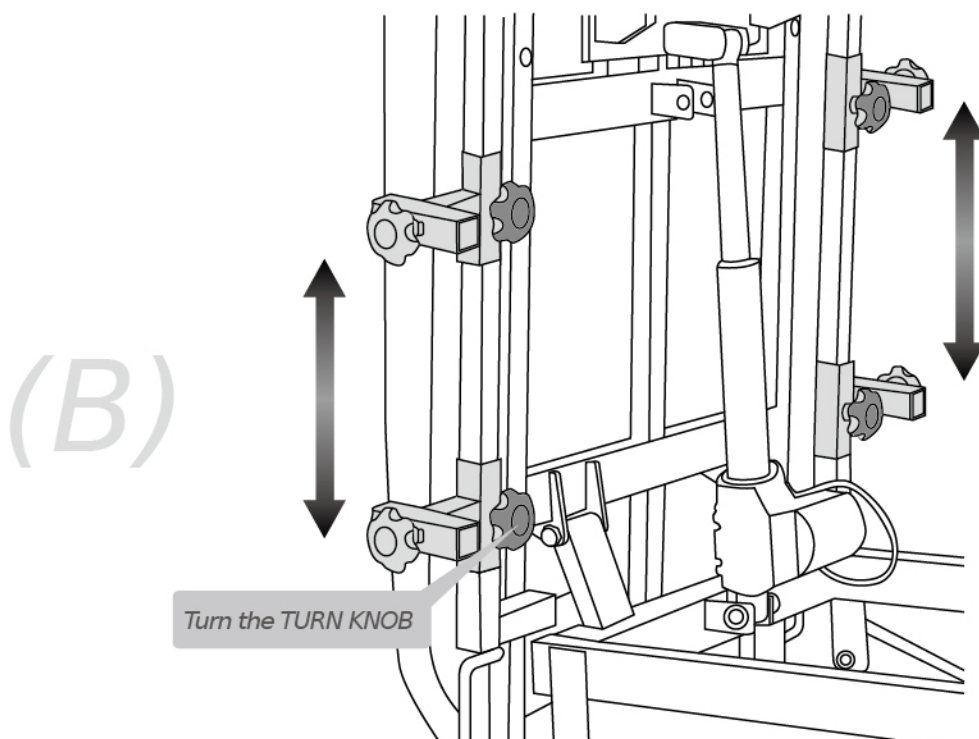


6. Adjusting the Working Table

A) To adjust the working table IN / OUT, simply release the TURN KNOB (A) by turning ANTI-CLOCKWISE on either side of the CROSS-CONNECTOR. To FIX the table in place, turn the TURN KNOB (A) CLOCKWISE.

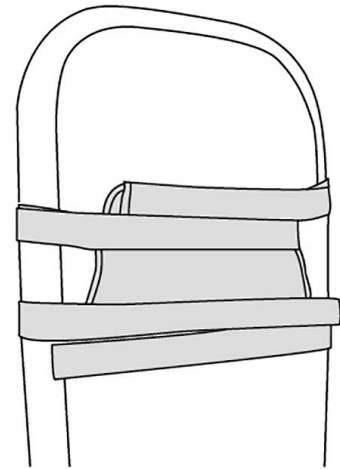
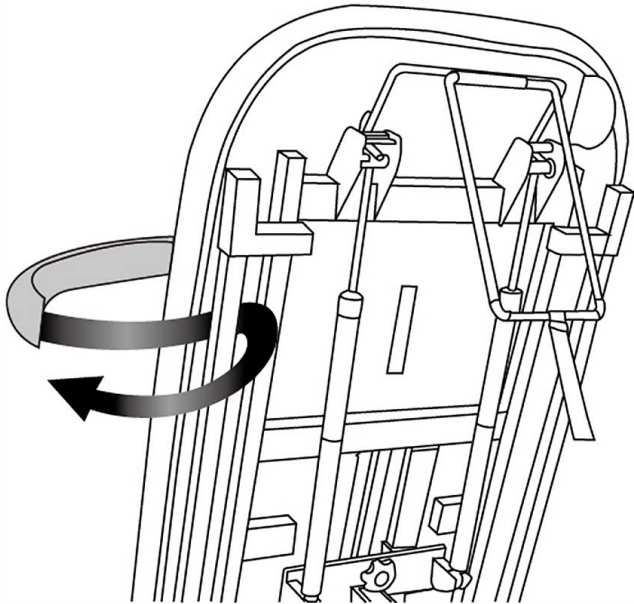


B) To adjust the working table UP / DOWN, simple release the TURN KNOB (B) by turning ANTI-CLOCKWISE on the INNER SIDE of the CROSS-CONNECTOR. To FIX the table in place, turn the TURN KNOB (B) CLOCKWISE.

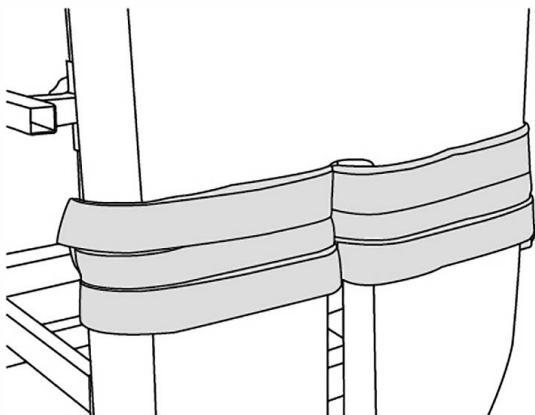


7. Fixing Chest Strap (1pc), Thigh Straps (2pcs) & Calf Straps (2pcs)

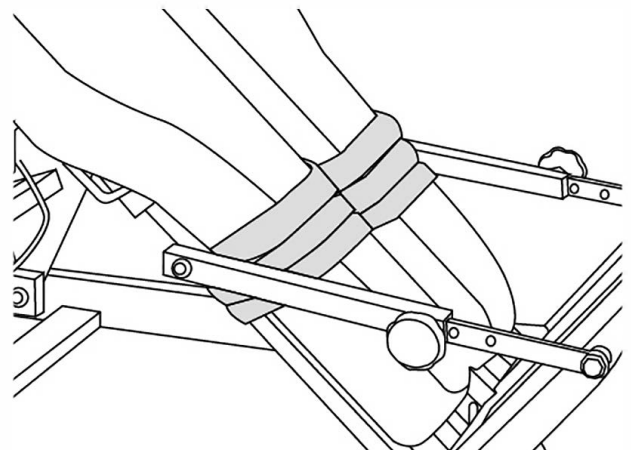
To fix the straps, locate the CHROME RAIL on either side of the table top. Insert one end of the Velcro straps beneath the table top and go around the chrome rail. Then pull the ends to the front where the patient is lying and finally fix the Velcro strap towards the chest, thigh or calf of the patient.



Chest Strap

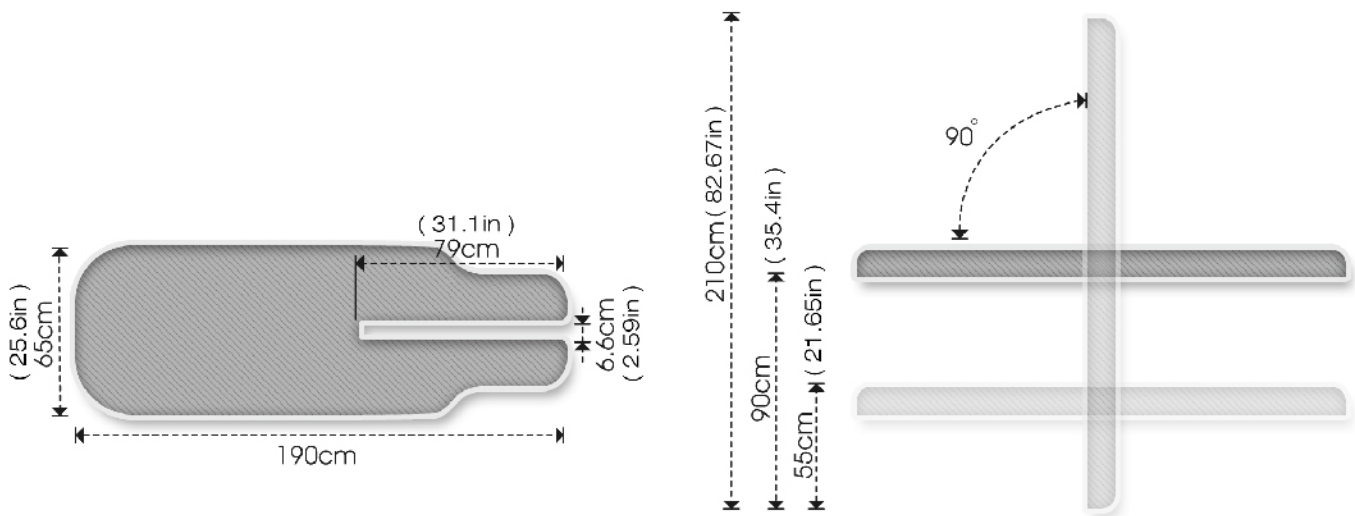


Thigh Straps



Calf Straps

8. Technical Specifications



Measurements & Technical Data

<i>Minimum Height</i>	550mm / 21.65" inch	<i>Electrical Data</i>	
<i>Maximum Height</i>	900mm / 35.43" inch	<i>Control Box Input Voltage & Rating:</i>	100~240VAC, 50/60Hz, 2A
<i>Top Height at 90°</i>	2100mm / 82.67" inch	<i>Control Box Output Voltage:</i>	DC 32V, 80VA
<i>Table Top Width</i>	650mm / 25.59" inch	<i>Actuator Input Voltage:</i>	DC 24V
<i>Total Length</i>	1900mm / 74.80" inch	<i>Duty cycle:</i>	Max. 10% 2min. ON / 18min. OFF
<i>Tilt Angle</i>	0° to 90°	<i>Max. Load:</i>	Push 8000N
<i>Lift Mechanism</i>	Electric	<i>Max. Current:</i>	Max. 6A
<i>Breathing Hole/Plug</i>	N/A		
<i>Castors w/h Swivel Lock & Brake</i>	4	<i>CERTIFIED TO AAMI / CSA / IEC / EN STD</i>	
<i>Weight Rating (Max. Load)</i>	225kgs / 496lbs	AAMI ES 60601-1, CSA-C22.2 NO. 60601-1	
<i>Net Weight</i>	89.5 kgs	IEC 60601-1, EN 60601-1	
<i>Gross Weight</i>	104.8 kgs	<i>The electrical components used are approved by IEC 60601-1</i>	
<i>Package Dimension</i>	209 x 86 x 59 cm		
<i>Container Load Capacity</i>			
• 20ft	21 tables		
• 40ft	42 tables		
• 40ft HQ	56 tables		

Environmental Conditions

Operation Temperature:	10°~40°
Relative Humidity:	30%~90%
Transport & Storage Temperature:	0°~70°
Relative Humidity:	10%~100%

Cleaning Instructions



WARNING

PRIOR CARRYING OUT ANY CLEANING PROCESS, DISCONNECT THE POWER CORD FROM THE MAIN WALL SOCKET (ELECTRIC MODELS ONLY)

- 1 Move the table to a suitable area prior cleaning
- 2 Use only Neutral Detergent (pH 7) and dilute with warm water
- 3 Use Alcohol Wipes for cleaning Hand or Foot Control (Electric Models Only)
- 4 Wipe the table dry prior use
- 5 Wash your hands thoroughly after cleaning to avoid irritation
- 6 For Decontaminating the Table, please follow above instructions and use a diluted solution of Hypochlorite with COLD WATER (Mix at 10,000ppm or part(s) per million)

Maintenance & Scheduled Servicing

It is strongly recommended that a program of regular maintenance & servicing is carried out by Stonehaven Medical authorized dealer or agent, its employees or trained service personnel. A hospital biomedical engineering department or third party service provider that is nominated by Stonehaven Medical or authorized distributor or agent should be capable of performing the necessary testing, servicing and documentation of the service procedures to comply with the relevant standards of the Medical Device Directive. A program of electrical safety inspections is highly recommended to confirm the continual safety of the practitioners and patients.



WARNING

PRIOR CARRYING OUT ANY SERVICING OR MAINTENANCE PROCEDURES, DISCONNECT THE POWER CORD FROM THE MAIN WALL SOCKET (ELECTRIC MODELS ONLY).
ALL ELECTRICAL SERVICING OR MAINTENANCE MUST BE PERFORMED BY A QUALIFIED PERSONNEL.
BLUE or BROWN WIRES MUST NOT BE CONNECT TO THE EARTH TERMINAL.

MAINTENANCE

- 1 A visual inspection should be carried out daily prior to use. Check for any signs of damage and ensure that all nuts, bolts, screws etc. are present, secure and fitted properly. **DO NOT** over-tighten nuts, bolts screws as this may cause binding between two components and/or juddering.
- 2 Routine servicing or repair must be carried out by qualified servicing personnel
- 3 Always refer to the Service Section in the Instruction Manual when in doubt of any servicing procedures.
- 4 Regular inspection and servicing should be carried out every six month of normal use. If the product is used more frequently, the duration between inspections and servicing should be narrowed down to every three month.
- 5 Check whether each section of the table top is securely bolted to the supporting frame. If any bolts or screws are found loose, tighten it prior to use.
- 6 Check whether the Gas Struts underneath the table top operate smoothly when a table section is moved throughout the moveable range. The table top should be **LOCKED** once the Release Lever is released.
- 7 For Electric Models: Check all cables connected to the control box - Power Cord, Cable from Controllers, Cable connected to the Actuators/Micro-Switches and look for any cuts, abrasions and or any other signs of deterioration. If found, please consult your authorized dealer / agent and purchase necessary parts for replacement.
- 8 Check whether the connectors to the control box from the actuator are secured in their designated socket and the Main Power Cord is connected securely to the Main Wall Socket.

Trouble Shooting

Issues

The Table Top seizes to move nor operate when (1) the Main Power Cord is connected securely to the Main Wall Socket and (2) All Cables are connected correctly & securely to the Control Box.

Solution

- 1) Do you see a constant Green Light on the control box when power is plugged into the wall?
(The LED is located at the end panel where the cover can be lifted off)
If NOT, either the power cord is not plugged-in securely to the main wall socket or there may be a high possibility of a faulty or broken control box.
Solution: the Control Box requires replacing
- 2) When the Hand or Foot Controls' Buttons are pressed either up or down, do you hear a "Clicking" sound from the Control Box?
Solution: if the answer is YES - you hear the clicking sound but the actuator is not moving the table top, the actuator is not working and require replacing.

Regulation Compliance

1. Safety

ANSI/AAMI ES 60601-1
CAN/CSA-C22.2 NO. 60601-1
EN IEC 60601-1 Medical Electrical Equipment -Part 1: General Requirements for Basic Safety and Essential Performance

2. EMC

EN IEC 60601-1-2 Medical Electrical Equipment -Part 1-2: General Requirements for Basic Safety and Essential Performance - Collateral standard: Electromagnetic Compatibility - Requirements and Tests

3. Static Loading Force

EN IEC60601-2-52 Part 2-52: Particular Requirements for the Basic Safety and Essential Performance of Medical Tables, Beds or Couches

4. Gas Spring (Strut)

- a. Drop Test-Dynamic Functional Load
- b. Impact Test-Cyclic

5. Ignitability & Flammability (Optional)

BS 7176: Specification for resistance to ignition of upholstered furniture for non-domestic seating by testing composites

- a. BS EN 1021-1 : Furniture. Assessment of the ignitability of upholstered furniture.
Ignition source smouldering cigarette
- b. BS EN 1021-2: Furniture. Assessment of the ignitability of upholstered furniture.
Ignition source match flame equivalent
- c. BS 5852: Methods of test for assessment of the ignitability of upholstered seating by smouldering and flaming ignition sources

State of California: Department of Consumer Affairs (dca)

- a. TB117 - Requirements, Test Procedure and Apparatus for Testing the Smolder Resistance of Materials Used in Upholstered Furniture
- b. TB133 - Flammability Test Procedure for Seating Furniture for Use in Public Occupancies

6. Antimicrobial Activity Test

ASTM G 21-09 : Standard Practice for Determining Resistance of Synthetic Polymeric Materials to Fungi

7. Phthalate

EN 14372 : Child use and care articles - Cutlery and feeding utensils - Safety requirements and tests

8. Enclosure Protection of Control Box

IEC60529: Degrees of Protection Provided by Enclosure

9. Caster Wheel of Hospital Bed

BS EN12531: Casters and Wheels - Hospital Bed Casters

I. Manufacturer's Warranty

Stonehaven Medical, Inc. or its appointed agents or dealers warrants the Product stated herein to be free from manufacturing defects in workmanship and materials (from the date of purchase) for the following parts and periods ONLY:

1 Year Manufacturer Warranty for the following parts only from the date of purchase:

- (a) Upholstery (d) Hand / Foot / Switch Controls
- (b) Castors (e) Leveling Foot Mechanism
- (c) Gas Struts

2 Year Manufacturer Warranty for the following parts only from the date of purchase:

Motorized Actuator, Control Box etc.

3 Year Manufacturer Warranty for the following parts only from the date of purchase:

Frame (Upper Frame + Twin Pillars + Lower Frame)

Stonehaven Medical, Inc. will repair or replace, at its facility, any product found to be defective. **The warranty does not apply to any Product which has been subjected to misuse, abuse, neglect, improper packaging, damage in transit, accident or repaired or modified by anyone other than Stonehaven Medical, Inc. authorized employees or agent, or for any other reasons not directly associated in the scope of manufacturing. The warranty covers ONLY manufacturer's defects but DOES NOT cover wear and tear under normal usage.** The Product stated herein must be serviced and maintained in accordance with the manufacturer's maintenance schedule by the manufacturer's appointed or authorized service agents. This warranty is voided immediately as to any Product which has been disassembled, repaired or modified by anyone other than authorized employees or agent of Stonehaven Medical, Inc.

II. Limitation of Liabilities and Disclaimer of Warranties

Stonehaven Medical, Inc. or its appointed or authorized agents or dealers shall not be liable to any person for any direct, indirect, special, incidental, or consequential damages, lost profits or medical expenses caused by any defect, failure, malfunction or otherwise of the product, regardless of the form in which any legal or equitable action that may be brought against Stonehaven Medical, Inc. or its appointed or authorized agents or dealers (e.g. contract, negligence or otherwise). The remedy provided in I. Manufacturer's Warranty above shall constitute purchaser's sole remedy. In no event shall Stonehaven Medical, Inc. or its appointed or authorized agents or dealers' liability under any cause of action relating to the product exceeds the purchase price of the product. (The Warranty gives Purchaser specific legal rights and Purchaser may also have other rights which vary from state to state. Some states do not allow the exclusion or limitation of incidental or consequential damages, so the above limitation may not apply to the Purchaser.)

BAL3050

SERVICE MANUAL

Dismantling a Gas Strut

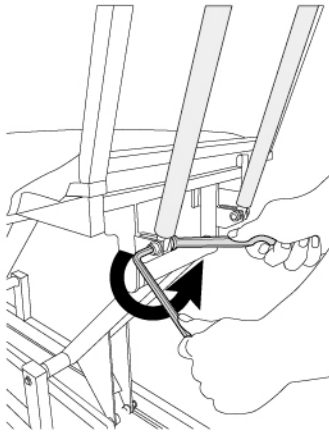
Required Tools



Spanner 17mm

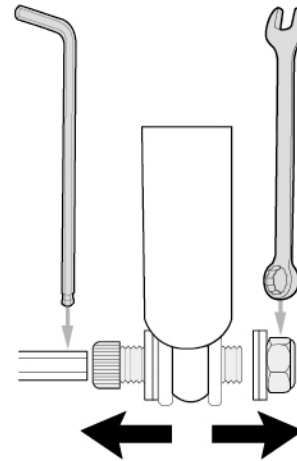


Hex Allen Key 10mm



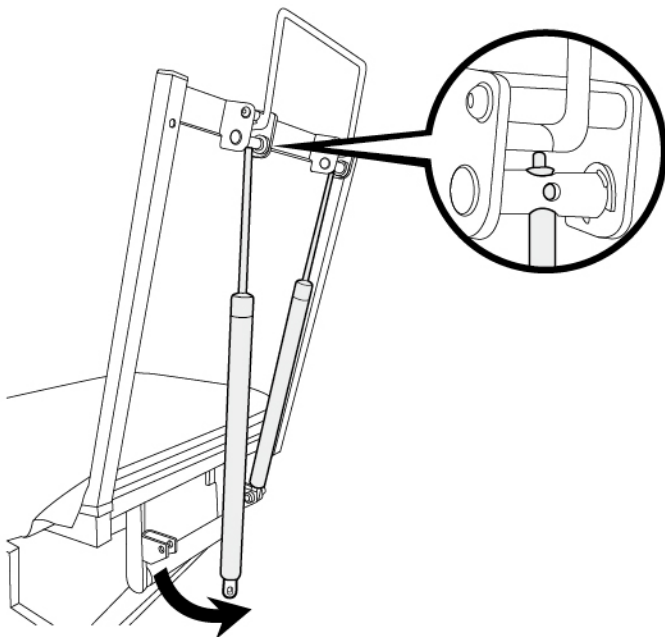
1) Dismantling a Gas Strut

Unmount the Gas Strut with a Spanner and Allen Key (Hex Screw Driver).



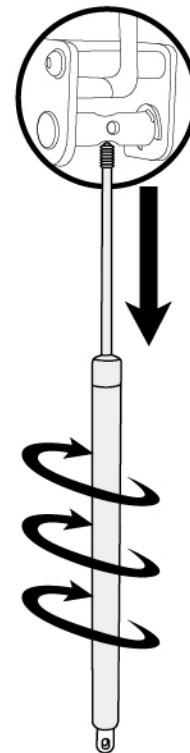
2) Dismantling a Gas Strut

Unscrew the Bolt & Nut with a Spanner and Allen Key.



3) Dismantling a Gas Strut

Swing the Gas Strut's Cylinder Body OUT of the mounting piece from the bottom.



4) Dismantling a Gas Strut

Turn the Gas Strut's Cylinder Body Anti-Clockwise to disconnect the Shaft from the cylinder mount.

Installing a Gas Strut

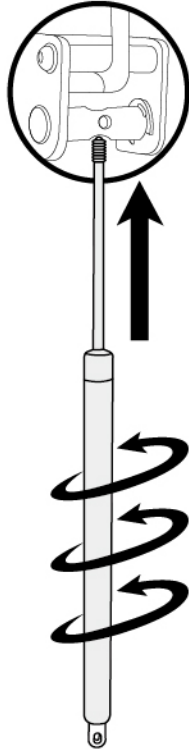
Required Tools



Spanner 17mm

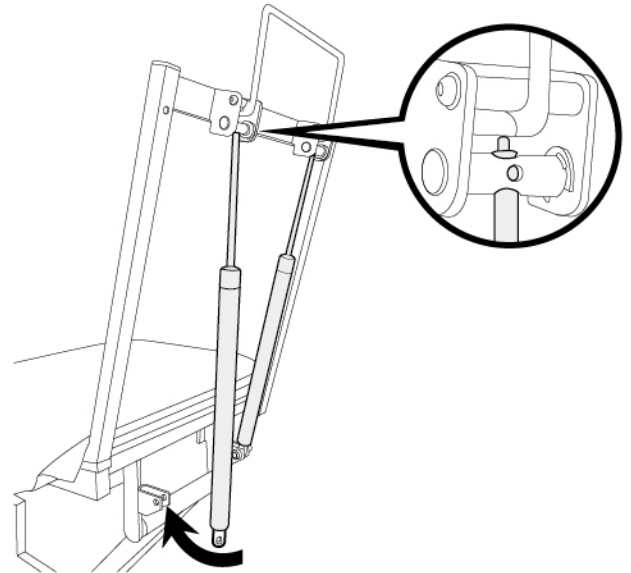


Hex Allen Key 10mm



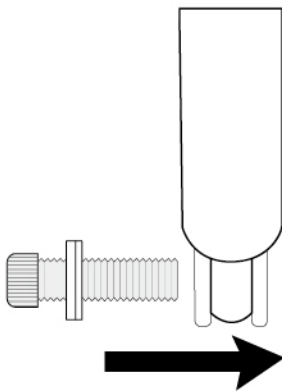
1) Install a Gas Strut

Insert the Gas Strut's **SHAFT END** with trigger to the cylinder mounting hole then **TURN** the Gas Strut **Clockwise** until the trigger tip just touches the lever's end.



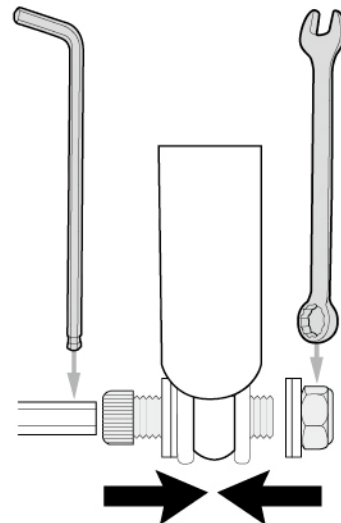
2) Install a Gas Strut

Swing the Gas Strut's **Cylinder Body** to the mounting piece at the bottom then align the holes before inserting the bolts.



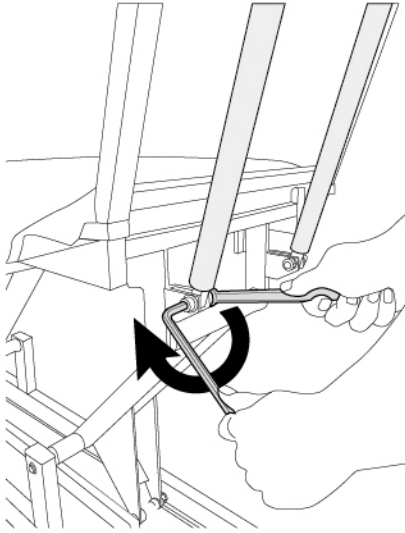
3) Install a Gas Strut

Insert the Bolt with 1 * Washer into the table mount then through the Gas Strut mount.



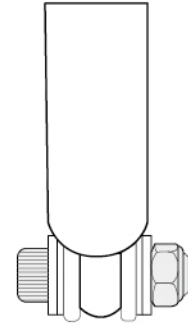
4) Install a Gas Strut

At the other end of the Bolt, insert 1 * Washer before tightening the Nut.



5) Install a Gas Strut

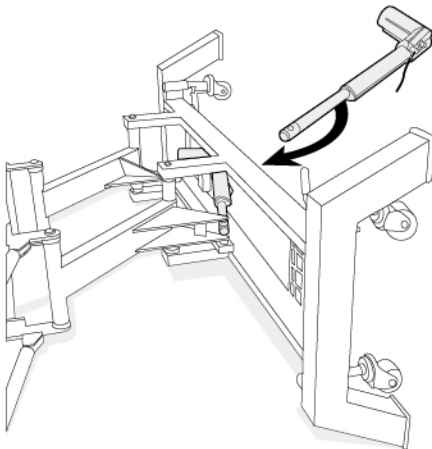
Tighten until the Bolt is FLUSH to the mount. Never overtighten the Bolt as it will restrict necessary movement and prevent smooth operation.



6) Install a Gas Strut

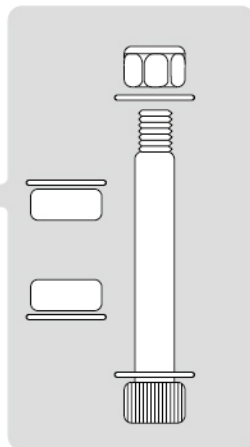
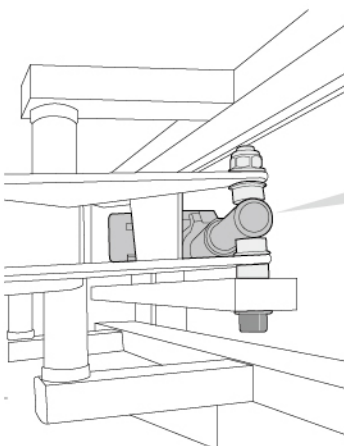
The Bolt and Nut should ONLY be FLUSHED to the Mount.

Replacing the Linear Actuator



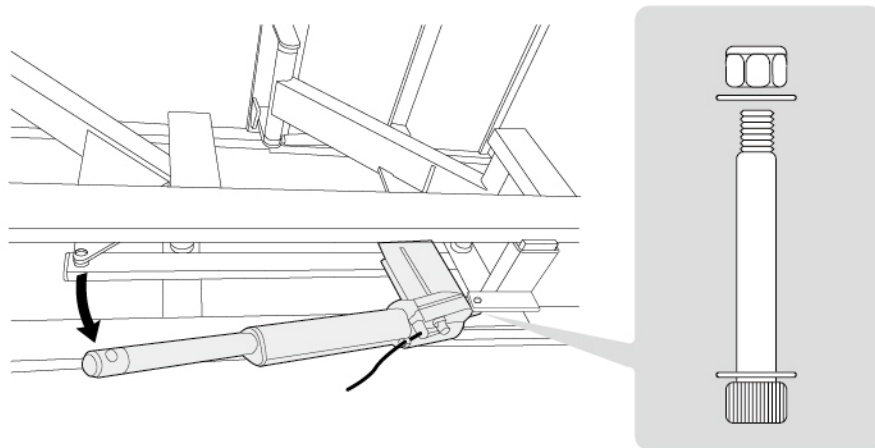
1) Replacing an Actuator (2 People Required)

First, have someone to help you to FLIP the table over on its SIDE.



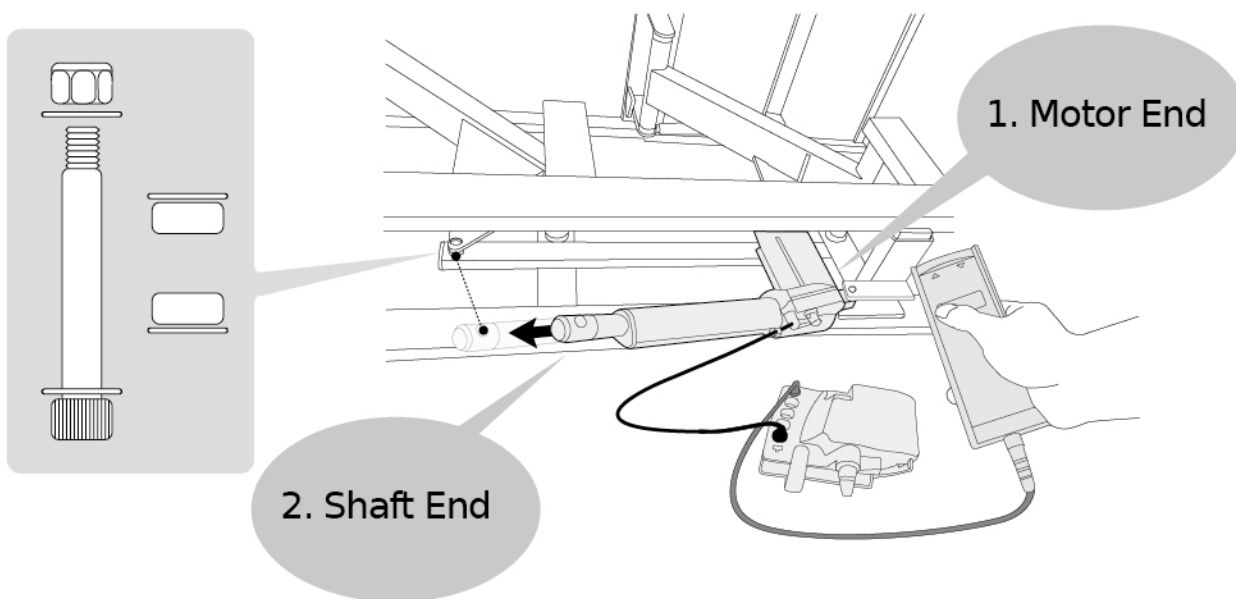
2) Replacing an Actuator

Unscrew the Bolt & Nut at the SHAFT END FIRST! When first removing the Actuator at the SHAFT END, please make a note of the arrangement of Bolt, Nut, Washer & Nylon Spacer. It will be useful when installing a new actuator later on.



3) Replacing an Actuator

Then unscrew the Bolt & Nut at the MOTOR END!



4) Replacing an Actuator

After replacing a new actuator, FIRST BOLT ON the actuator mount from the MOTOR END!

While leaving the SHAFT END unmount, connect the actuator to the control box and begin to operate by pressing the buttons on the Hand Control or switches on the Foot Control. STOP when the SHAFT END reaches and align with the PIVOT MOUNTING HOLE of the TWIN PILLARS.

Finally, insert the Bolt, Washer, Nylon Spacer and Nuts then tighten it until the nut is only FLUSH with the mount.

Stonehaven Medical



Stonehaven Medical, Inc.
22607 La Palma Ave, Suite 408
Yorba Linda, CA 92887
Tel: 714-692-9200, Tel: 888-215-4205

7601CT8001

